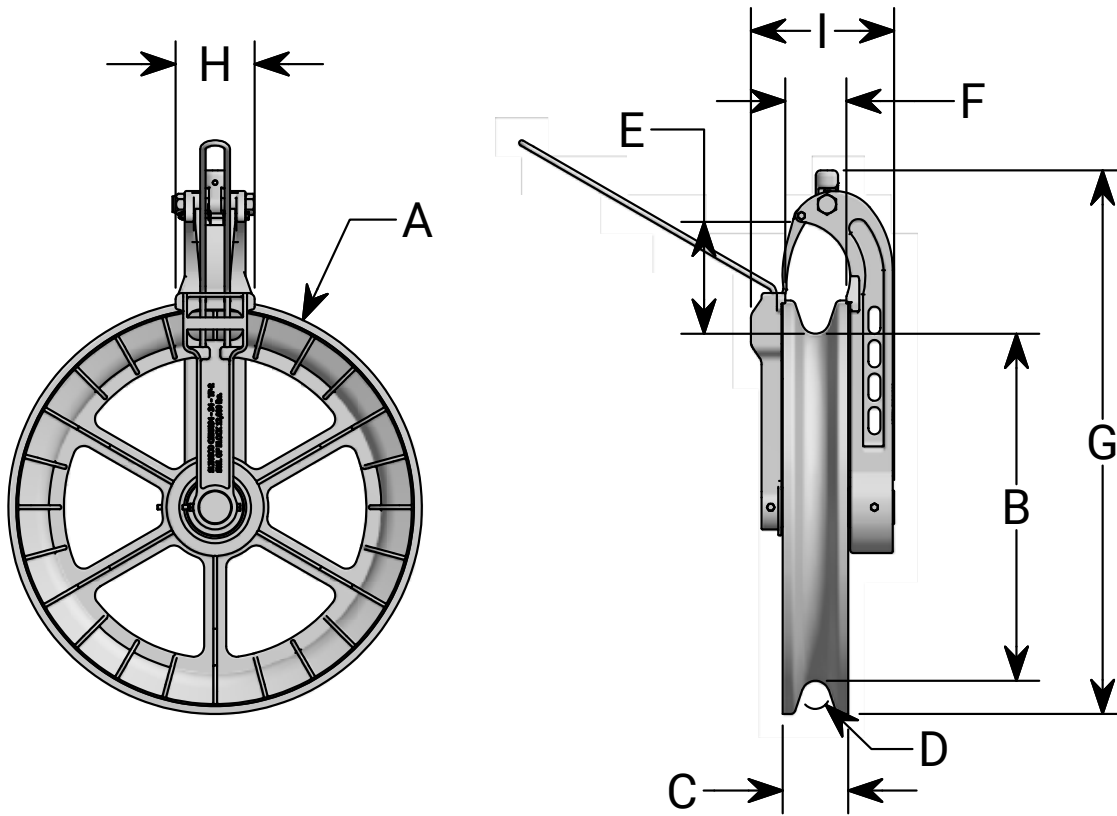


HELICOPTER - TWISTED PAIR



GENERAL INFORMATION - ALL DIMENSIONS GIVEN IN INCHES

| CATALOG NUMBER | A | B | C | D | E | F | G | H | I | NET BLOCK WEIGHT lbs. | SAFE WORKING LOAD lbs. |
|-----------------|-------|-------|------|------|------|------|-------|------|-------|-----------------------|------------------------|
| MDL62S-TP-34-UL | 34.00 | 28.50 | 5.38 | 2.32 | 9.21 | 5.03 | 44.71 | 6.50 | 11.78 | 153 | 12,000 |
| MDL62S-TP-42-UL | 42.00 | 36.00 | 5.38 | 2.21 | 9.48 | 5.03 | 52.70 | 7.00 | 11.78 | 184 | 15,000 |

WEIGHTS DO NOT INCLUDE THE WEIGHT OF THE GROUND ATTACHMENT. PLEASE REFER TO THE GROUND ATTACHMENTS ON PAGE 29



UL: URETHANE LINED

FLY ARM ATTACHMENT AVAILABLE

OPTIONAL GROUNDS ARE AVAILABLE

