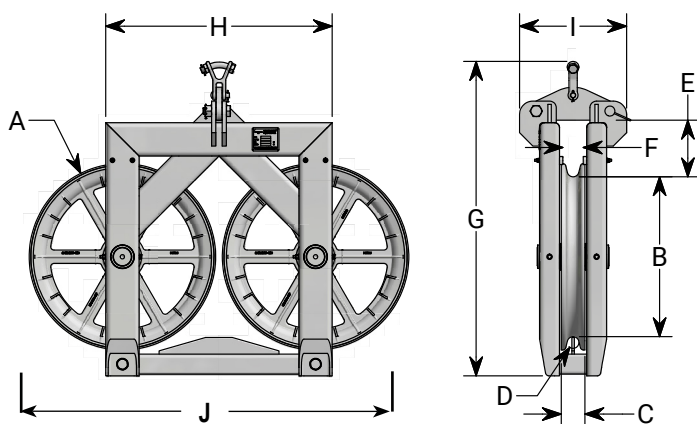


The MDL74 single-conductor, double-angle block is available in 28", 34", and 36" sizes rated for a 30,000 lb safe working load. Urethane-lined sheaves help protect conductor integrity, while the double-angle design ensures stable, precise alignment for demanding overhead transmission applications.

GENERAL INFORMATION - ALL DIMENSIONS GIVEN IN INCHES

SINGLE - DOUBLE ANGLE CONFIGURATION

CATALOG NUMBER	RENTAL NUMBER	A	B	C	D	E	F	G	H	I	J	NET BLOCK WEIGHT lbs.	SAFE WORKING LOAD lbs.
MDL74-28-2-UL	1028-1019	28.00	24.00	3.56	1.63	8.50	3.06	47.21	34.00	23.38	57.00	750	30,000
MDL74-34-2-UL	1034-1004	34.25	30.31	3.56	2.19	8.50	3.06	53.45	40.25	23.38	69.50	900	
MDL74-36-2-UL	1036-1004	36.00	32.00	3.56	2.50	8.50	3.06	55.20	42.00	23.38	73.00	990	



SHEAVE SPACING: 3.703"
FOR BUNDLE CONFIGURATION ON 28" AND 34" BLOCKS

SHEAVE SPACING: 3.812"
FOR BUNDLE CONFIGURATION ON 36" BLOCKS

UL: URETHANE LINED

Block Measurement Key

A	Sheave diameter	F	Throat opening
B	Groove length	G	Block height
C	Interframe groove width	H	Frame width
D*	Line groove diameter	I	Block width
E	Height of throat	J	Block length

* Wire size O.D. x 20 = block size (D) line groove diameter