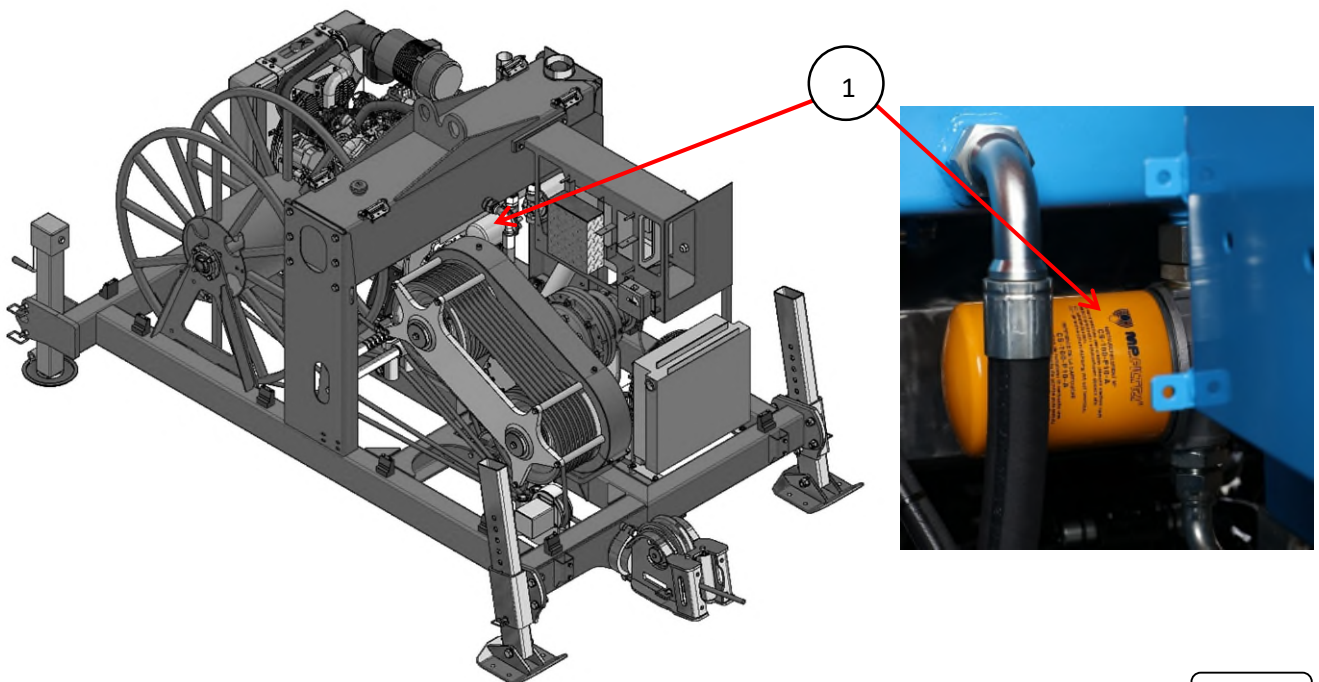
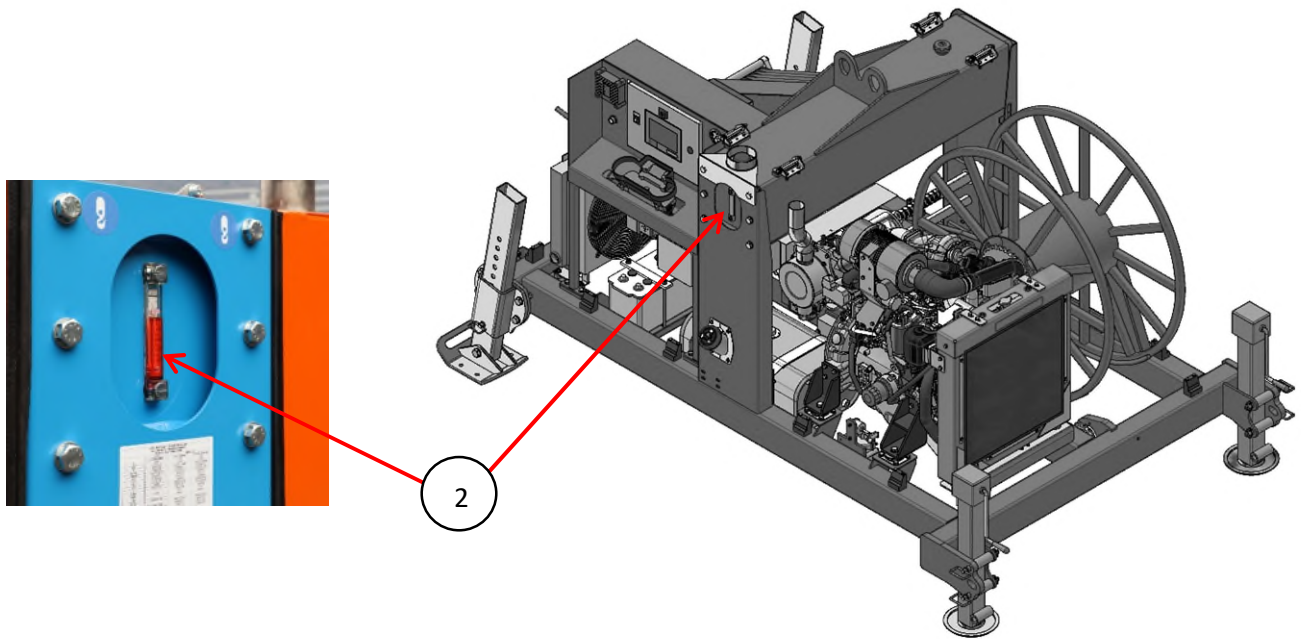




HYDRAULIC DIAGRAM PICTURE 1

| REPLACEMENT | DESCRIPTION | QUANTITY | ORDER CODE | POSITION |
|---------------------|---|----------|--------------|----------|
| OUTGOING OIL FILTER | OUTGOING HYDRAULIC OIL FILTER FROM TANK | 1 | CS-100-P10-A | 1 |
| OIL LEVEL | OIL LEVEL AND TEMPERATURE | 1 | 11386 | 2 |



PIC.1



CONTROL PANEL PICTURE 2

| REPLACEMENT | DESCRIPTION | QUANTITY | ORDER CODE | POSITION |
|-------------|-----------------------------|----------|---------------|----------|
| MANOMETER | MANOMETER D.63 0/250 BAR | 2 | MGS/10/3/D | 3 |
| MANOMETER | MANOMETER D.63 0/400 BAR | 1 | MGS/10/3/D/40 | 4 |

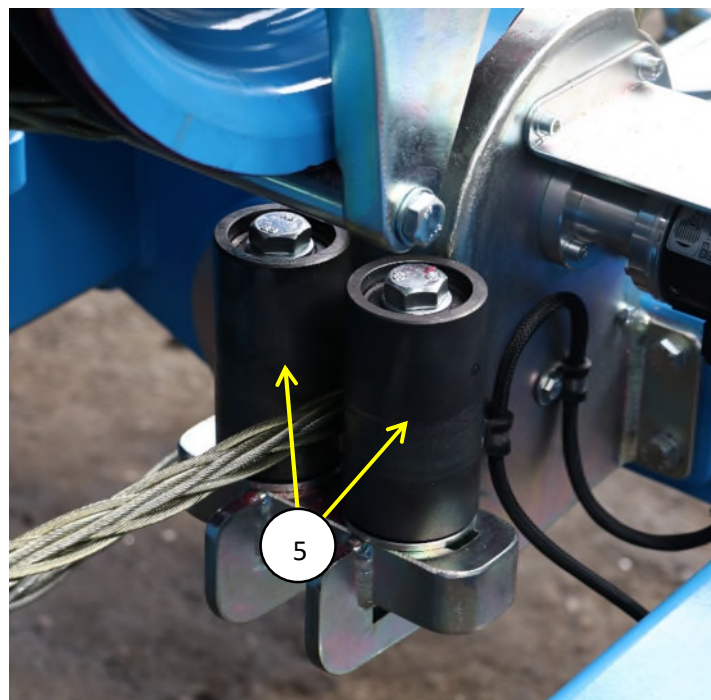


PIC.2

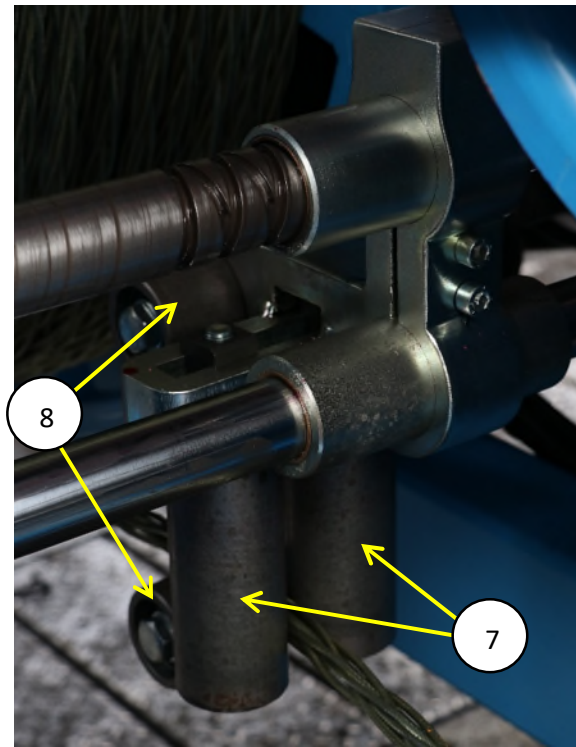


ROLLERS PICTURE 3

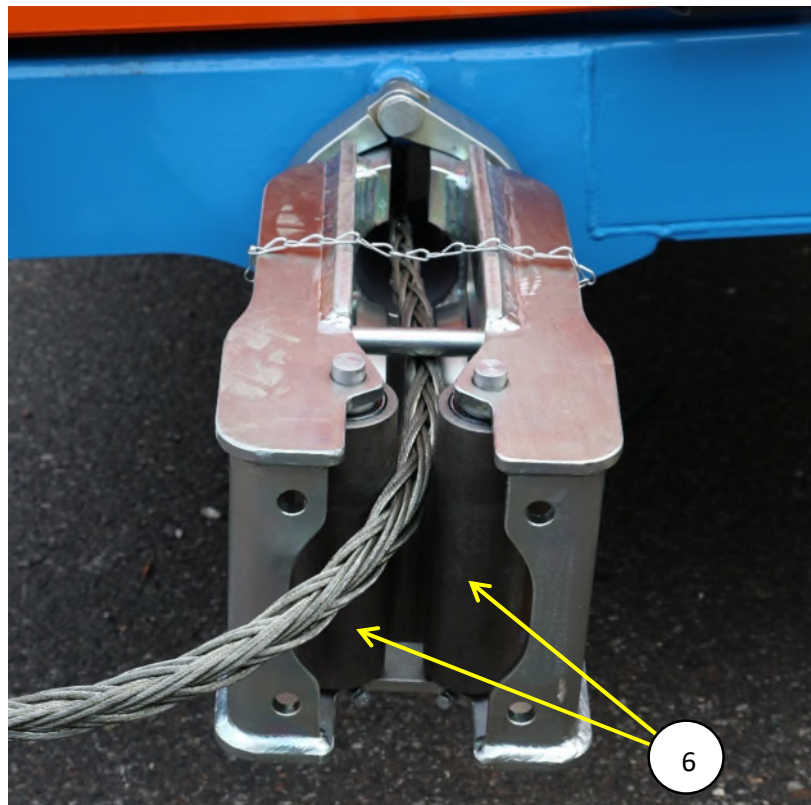
| REPLACEMENT | DESCRIPTION | QUANTITY | ORDER CODE | POSITION |
|--------------------|-------------------------|-----------------|-------------------|-----------------|
| VERTICAL ROLLER | ROLLER D.42 L.110 | 2 | L1074R0182A | 5 |
| SPACER | SPACER FOR ROLLER L.110 | 2 | L1074R0184A | 5 |
| ROSETTE | ROSETTE | 2 | L1074R0183A | 5 |
| BEARING | BEARING 6204-2RS | 4 | 6204-2RS | 5 |
| ROLLER | ROLLER D.60 L.200 | 2 | L104R5031B | 6 |
| BEARING | BEARING 6204-2RS | 4 | 6204-2RS | 6 |
| VERTICAL ROLLER | ROLLER D.60 L.150 | 2 | L109T3008A | 7 |
| SPACER | SPACER FOR ROLLER L.150 | 2 | L109T3006A | 7 |
| BEARING | BEARING 6204-2RS | 4 | 6204-2RS | 7 |
| ROSETTE | ROSETTE | 2 | L1074R0183A | 7 |
| HORIZONTAL ROLLER | ROLLER D.60 L.60 | 2 | L109T3009A | 8 |
| SPACER | SPACER FOR ROLLER L.60 | 2 | L109T3007A | 8 |
| BEARING | BEARING 6204-2RS | 4 | 6204-2RS | 8 |
| ROSETTE | ROSETTE | 2 | L1074R0183A | 8 |



PIC.3



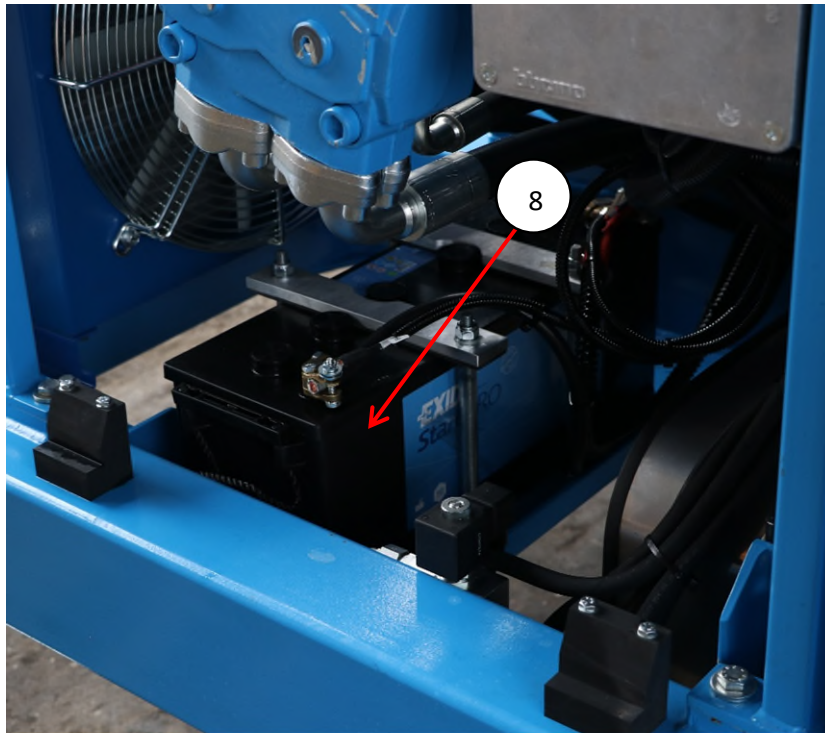
PIC.3





ELECTRICAL DIAGRAM PICTURE 4

| REPLACEMENT | DESCRIPTION | QUANTITY | ORDER CODE | POSITION |
|-------------|--------------------|----------|------------|----------|
| BATTERY | BATTERY 140 Ah 12V | 1 | 01-61087 | 8 |
| BUZZER | BUZZER | 1 | 46347 | 9 |



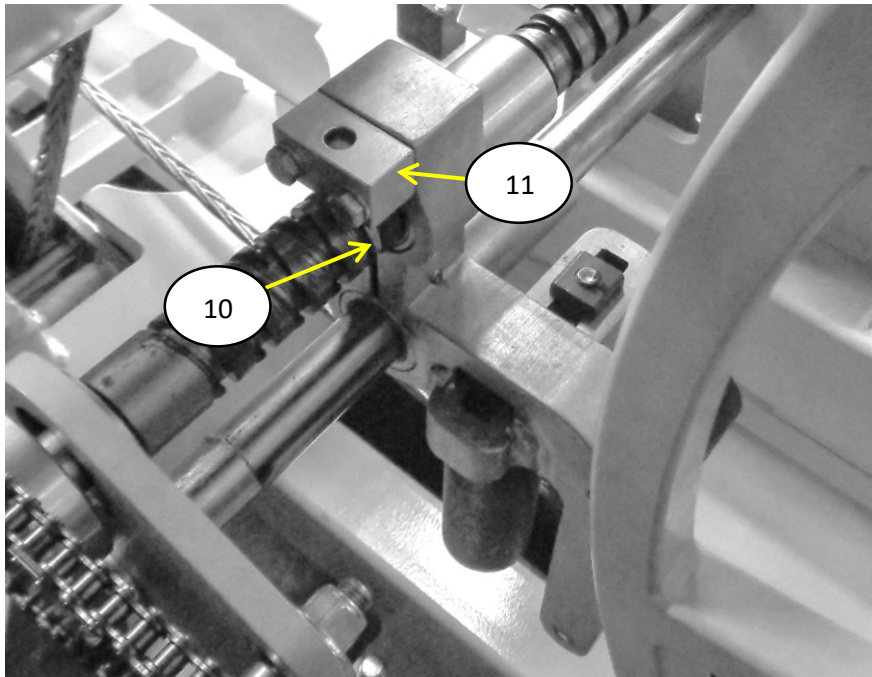
PIC.4





PART OF BRASS FOLLOWER PICTURE 5

| REPLACEMENT | DESCRIPTION | QUANTITY | ORDER CODE | POSITION |
|----------------|---------------------------|----------|------------|----------|
| BRASS FOLLOWER | BRASS FOLLOWER D.45 | 1 | NOTT45001A | 10 |
| SUPPORT | SUPPORT BRASS FOLLOWER | 1 | L109T3004B | 11 |



PIC.5

DIESEL ENGINE

FOR ALL THE SPECIFICATIONS, REFERRING TO THE ENGINE, SEE THE USE AND MAINTENANCE BOOKLET PROVIDED BY THE MANUFACTURER (ATTACHMENT)