



**HYDRAULIC DIAGRAM PICTURE 1**

REPLACEMENT	DESCRIPTION	QUANTITY	ORDER CODE	POSITION
OUTGOING OIL FILTER	OUTGOING HYDRAULIC OIL FILTER FROM TANK	1	CS-100-P10-A	1
OIL LEVEL	OIL LEVEL AND TEMPERATURE	1	11386	2



PIC.1



**CONTROL PANEL PICTURE 2**

REPLACEMENT	DESCRIPTION	QUANTITY	ORDER CODE	POSITION
MANOMETER	MANOMETER D.63 0/250 BAR	1	MGS/10/3/D	3
MANOMETER	MANOMETER D.63 0/400 BAR	1	MGS/10/3/D/40	4

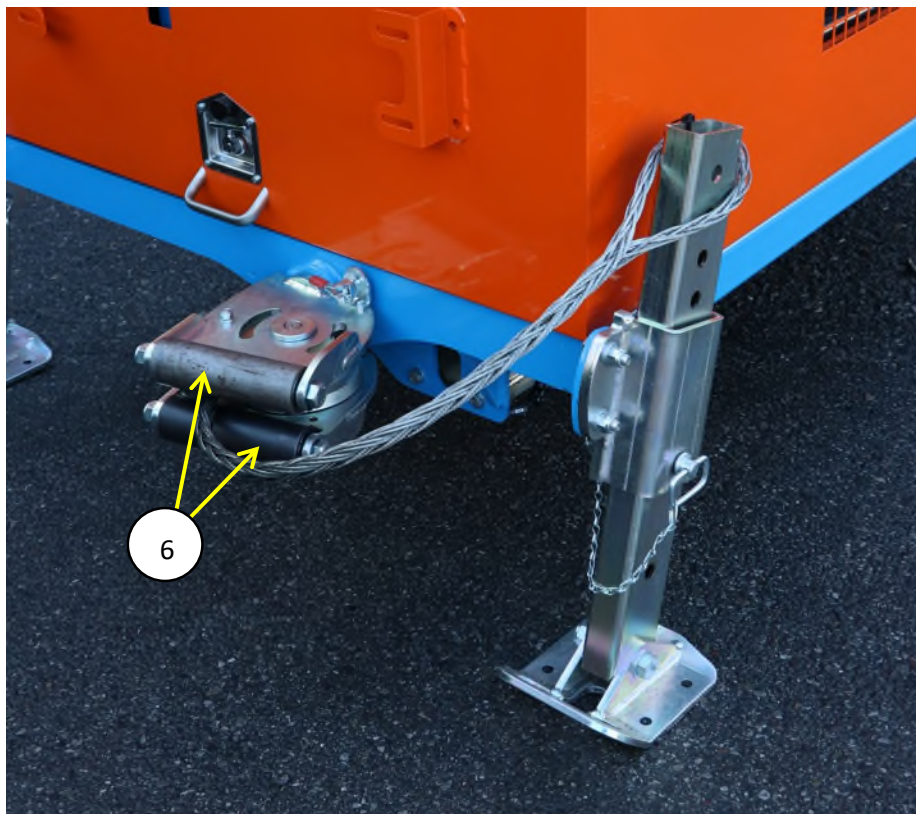
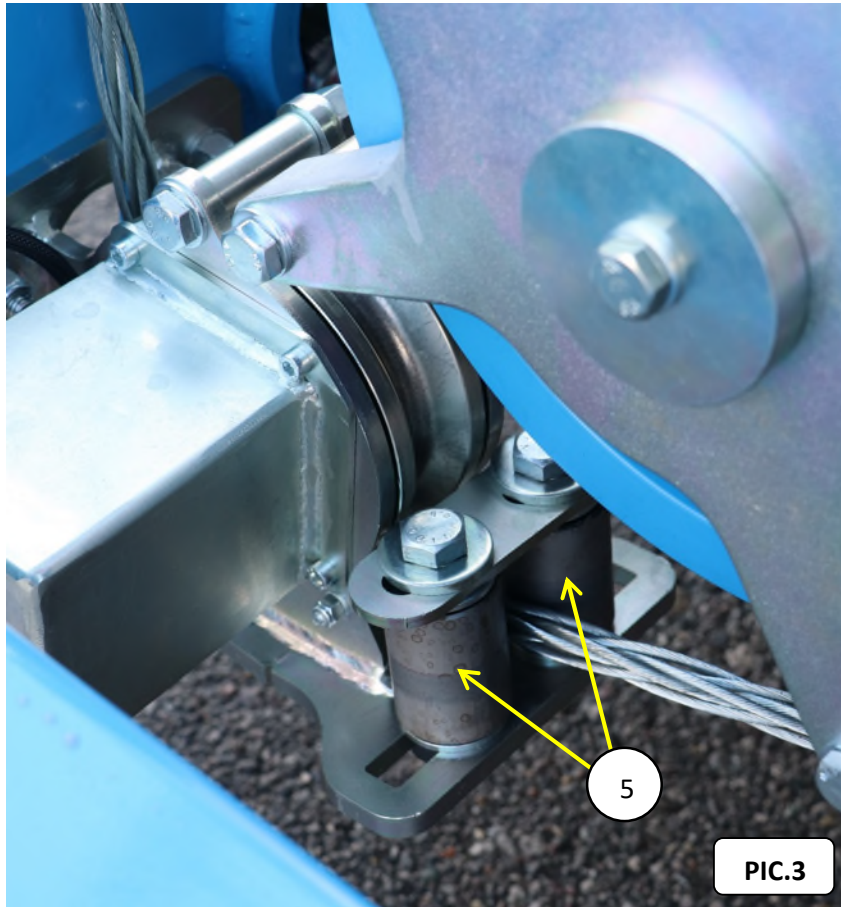


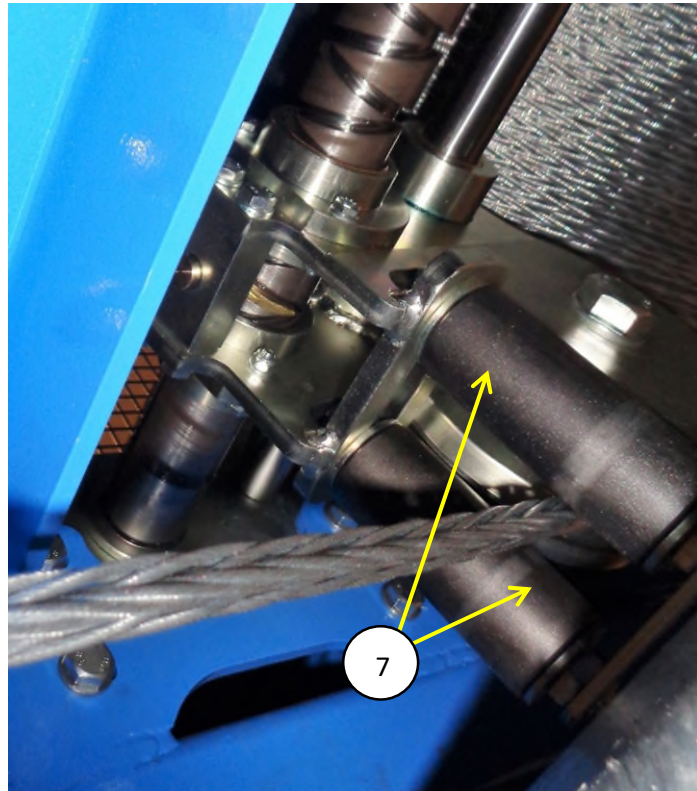
**PIC.2**



***ROLLER PICTURE 3***

<b>REPLACEMENT</b>	<b>DESCRIPTION</b>	<b>QUANTITY</b>	<b>ORDER CODE</b>	<b>POSITION</b>
VERTICAL ROLLER	ROLLER D.42 L.60	2	L101C07030A	5
SPACER	SPACER FOR ROLLER L.60	2	L104R5050A	5
ROSETTE	ROSETTE	2	L1074R064A	5
BEARING	BEARING 6202-2RS	4	6202-2RS	5
VERTICAL ROLLER	ROLLER D.60 L.200	2	L104R5031B	6
BEARING	BEARING 6204-2RS	4	6204-2RS	6
VERTICAL ROLLER	ROLLER D.42 L.100	2	L1074R066A	7
SPACER	SPACER FOR ROLLER L.100	2	L1074R065A	7
BEARING	BEARING 6202-2RS	4	6202-2RS	7
ROSETTE	ROSETTE	4	L1074R064A	7



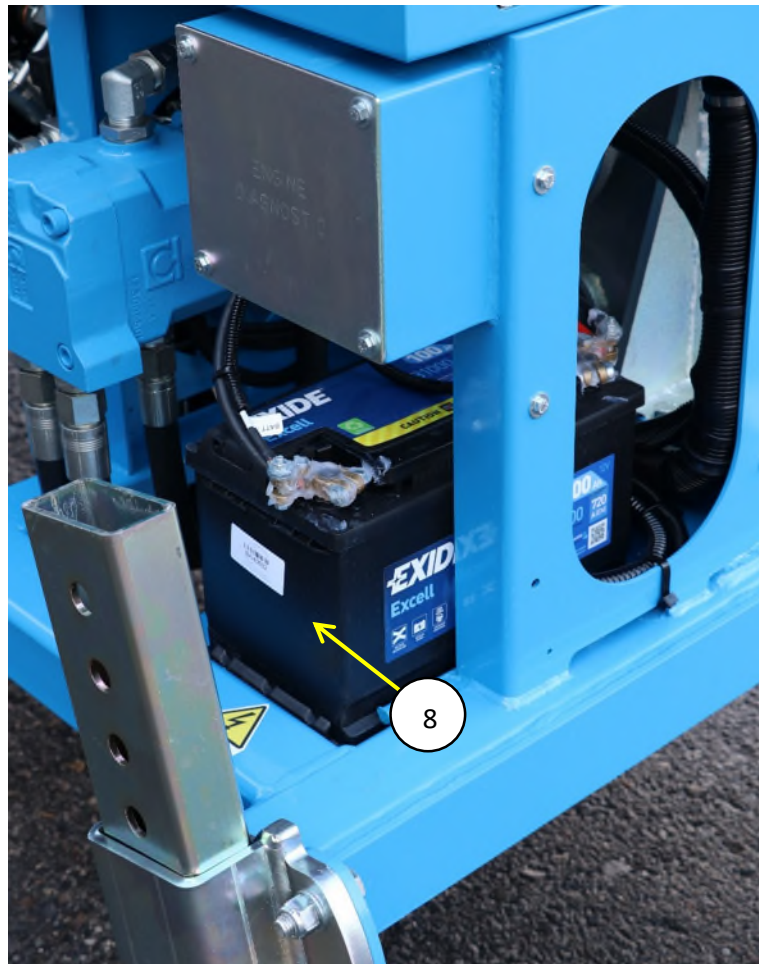


PIC.3



***ELECTRICAL DIAGRAM PICTURE 4***

REPLACEMENT	DESCRIPTION	QUANTITY	ORDER CODE	POSITION
BATTERY	BATTERY EXIDE EB620 62AH 12V	1	01-55513	8

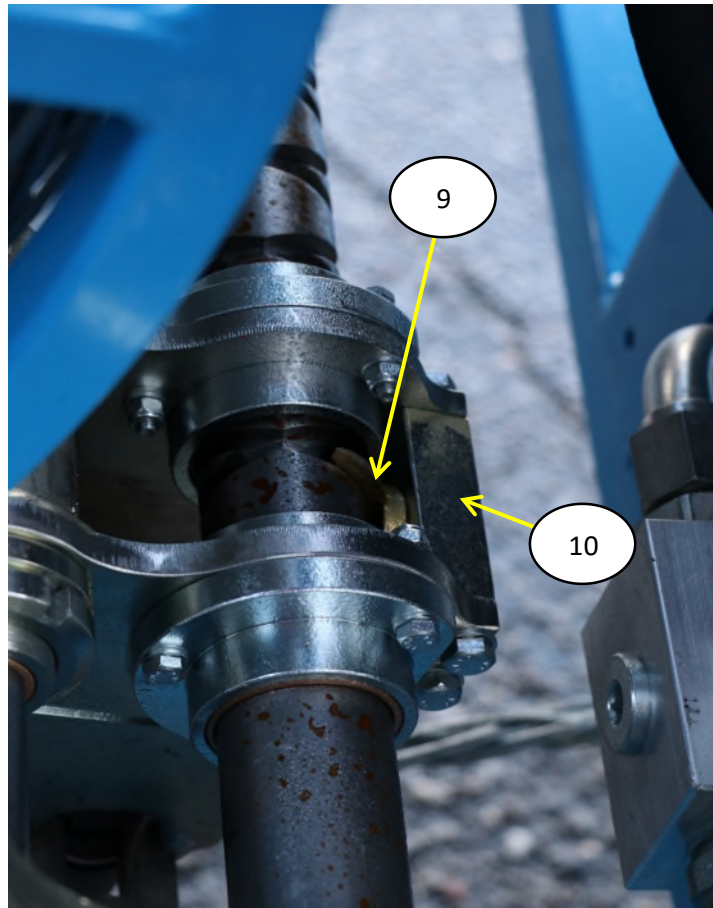


PIC.4



**PART OF BRASS FOLLOWER PICTURE 5**

REPLACEMENT	DESCRIPTION	QUANTITY	ORDER CODE	POSITION
BRASS FOLLOWER	BRASS FOLLOWER D.45	1	NOTT45001A	9
SUPPORT	SUPPORT BRASS FOLLOWER	1	L104R5066A	10



PIC.5

**DIESEL ENGINE**

FOR ALL THE SPECIFICATIONS, REFERRING TO THE ENGINE, SEE THE USE AND MAINTENANCE BOOKLET PROVIDED BY THE MANUFACTURER (ATTACHMENT)